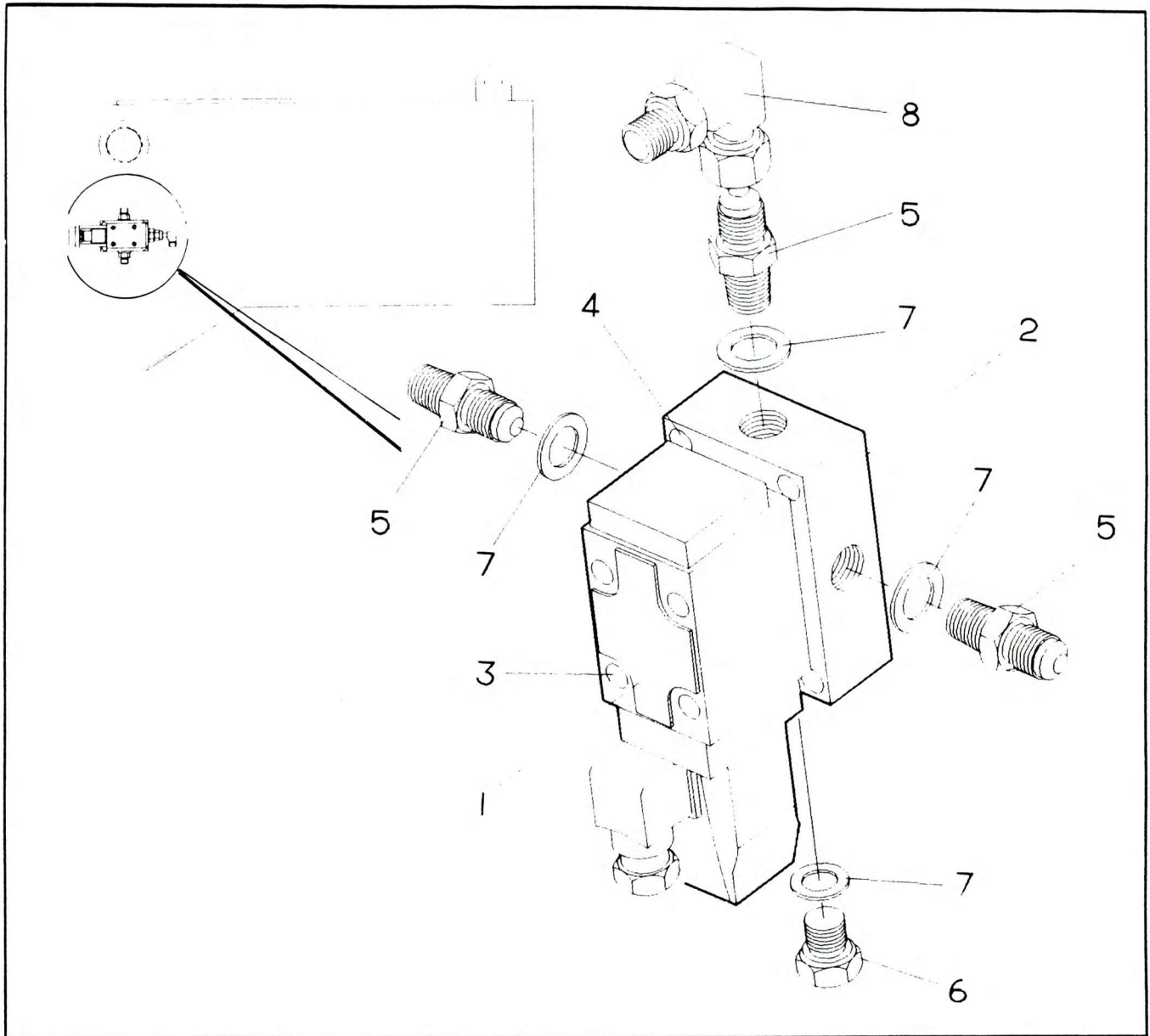


DERRICK RAISE VALVE ASSEMBLY



NO.	PART NO.	QTY.	DESCRIPTION	NO.	PART NO.	QTY.	DESCRIPTION
1 +	8353988	1	Control Valve (Control Valve)				
2	8592964	1	Solenoid Subplate				
3	7097614	4	Screw M5 x 40mm Hex Socket Cap Head				
4	7097613	4	Screw Socket Head Cap M5 x 35 Long				
5	7-443-991181	3	Adaptor $\frac{3}{8}$ " BSP x $\frac{1}{4}$ " ORFS				
6	7-709-990044	1	Plug $\frac{3}{8}$ " BSP				
7	7355204	4	Bonded Seal $\frac{3}{8}$ " BSP				
8	7-447-040433	1	Elbow 90° ORFS 9/16" x 18				

+ See further breakdown in this group